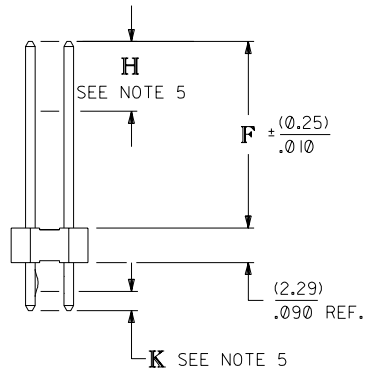
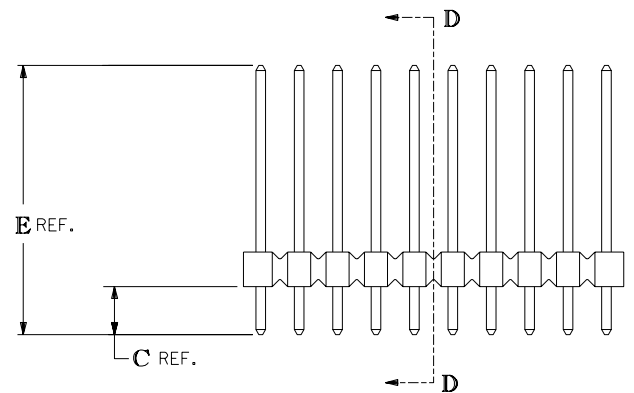


SECTION D-D - RETENTION PIN DETAIL
2 CONTACTS LOCATED ON CENTER OF SAME ROW
(SEE NOTE 6)

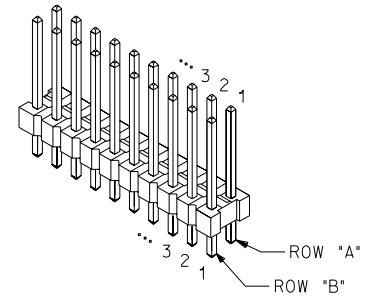


NO. OF CKTS.	DIM. A REF.		DIM. B REF.	
	MM	IN.	MM	IN.
4	2.54	.100	4.83	.190
6	5.08	.200	7.37	.290
8	7.62	.300	9.91	.390
10	10.16	.400	12.45	.490
12	12.70	.500	14.99	.590
14	15.24	.600	17.53	.690
16	17.78	.700	20.07	.790
18	20.32	.800	22.61	.890
20	22.86	.900	25.15	.990
22	25.40	1.000	27.69	1.090
24	27.94	1.100	30.23	1.190
26	30.48	1.200	32.77	1.290
28	33.02	1.300	35.31	1.390
30	35.56	1.400	37.85	1.490
32	38.10	1.500	40.39	1.590
34	40.64	1.600	42.93	1.690
36	43.18	1.700	45.47	1.790
38	45.72	1.800	48.01	1.890
40	48.26	1.900	50.55	1.990
42	50.80	2.000	53.09	2.090
44	53.34	2.100	55.63	2.190
46	55.88	2.200	58.17	2.290
48	58.42	2.300	60.71	2.390
50	60.96	2.400	63.25	2.490
52	63.50	2.500	65.79	2.590
54	66.04	2.600	68.33	2.690
56	68.58	2.700	70.87	2.790
58	71.12	2.800	73.41	2.890
60	73.66	2.900	75.95	2.990
62	76.20	3.000	78.49	3.090
64	78.74	3.100	81.03	3.190
66	81.28	3.200	83.57	3.290
68	83.82	3.300	86.11	3.390
70	86.36	3.400	88.65	3.490
72	88.90	3.500	91.19	3.590
74	91.44	3.600	93.73	3.690
76	93.98	3.700	96.27	3.790
78	96.52	3.800	98.81	3.890
80	99.06	3.900	101.35	3.990

NOTES:

- PIN PUSHOUT FORCE: 4 LBS. MIN. (IN EITHER DIRECTION)
- FOR ILLUSTRATION PURPOSES, 20 (DUAL 10) CIRCUIT SIZE IS SHOWN.
- PINS MUST MEET SOLDERABILITY SPEC. ES-152, EXCEPT VOIDS ARE PERMISSIBLE AT BANDOLIER PIN FAYING SURFACE. (APPROX. .025 LNG X .006 WD. REF.) - 2 LOCATIONS
- WAFER TO BE FLAT WITHIN (0.03 MM/CM)/.003 IN./IN.
- MEASURE POINT FOR PLATING THICKNESS.
- RETENTIVE TAIL LOCATIONS (SEE VIEW "A")

NUMBER OF CIRCUITS IN ROW B	RETENTIVE TAIL LOCATIONS
EVEN NUMBER	2 PINS IN THE MIDDLE OF ROW B
ODD NUMBER	PIN IN THE CENTER OF ROW B AND ONE OTHER PIN IN ROW B ON EITHER SIDE OF THE CENTER PIN

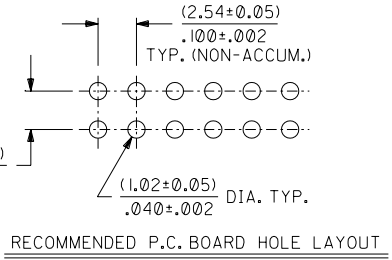


VIEW "A"

PLATING:

- TIN .000150 MINIMUM TIN OVER
.000050 MINIMUM NICKEL PLATE.
- 15 GOLD .000015 MINIMUM GOLD PLATE IN SELECTED AREA,
.000075 MINIMUM TIN IN SELECTED AREA,
OVER .000050 MINIMUM NICKEL OVER-ALL.
- 30 GOLD .000030 MINIMUM GOLD PLATE IN SELECTED AREA,
.000075 MINIMUM TIN IN SELECTED AREA,
OVER .000050 MINIMUM NICKEL OVER-ALL.
- 15G/150T .000015 MINIMUM GOLD PLATE IN SELECTED AREA,
.000150 MINIMUM TIN IN SELECTED AREA,
OVER .000050 MINIMUM NICKEL OVER-ALL.

*THE PRIMARY SHIPPING CARTON WILL BE LABELED "COMPLIANT TO RoHS DIRECTIVE 2002/95/EC AND ELV ANNEX II OF DIRECTIVE 2000/53/EC". CARTONS WITHOUT THIS LABEL MAY CONTAIN PRODUCT WITH LEAD.



RECOMMENDED P.C. BOARD HOLE LAYOUT

MATERIAL:

- WAFER - G.F. POLYESTER; 94V-0; COLOR: BLACK
PIN - PHOSPHOR BRONZE

G	LEAD FREE UCP2004-1769 RWHITE 04/04/01
F	ADDED BLOCK TOL PER UDT2002-1391 RSFOX 02/05/22
E	ADDED VIEW A PER UDT2000-0570 ICARIKCI 01/05/09
D	VOIDED -0402/-0440 PER ECR NO U61668 SCARTH 97/02/05
C2	CHANGED PKG SPEC PER ECR NO U61668 07/03/96 WGM
C1	ADDED -0442/-0520 PER ECR NO U61668 04/01/96 BJS
C	REMOVED 2 CKT PER ECR U50792 02/08/95 CAC
B	VOIDED -0241/-0280 PER ECR U40417 03/28/94 BRINKMAN 05/09/94 REED
A1	ADDED -0401/0440 PER ECR U40417 03/28/94 BRINKMAN
A	RELEASED PER ECR U30843 06/02/93 REED

DIMENSIONS SHOWN (METRIC) INCH UNLESS OTHERWISE SPECIFIED TOLERANCES: ANGULAR ± 1/2°

3 PLATE ± .005	METRIC
2 PLATE ± .01	± 0.13
1 PLATE ---	± 0.25

DRAFT WHERE APPLICABLE MUST REMAIN WITHIN DIMENSIONS

DRWG. BY: SMR CHK'D. BY: SMR
APP'D. BY: SCALE 4 : 1

FILE NAME: 570287X1

THIS DRAWING CONTAINS INFORMATION THAT IS PROPRIETARY TO MOLEX INC. AND SHOULD NOT BE USED WITHOUT WRITTEN PERMISSION.

REVISIONS

NO.	REV.	DESCRIPTION
3	G	
2	G	
1	G	

SALES ASSY-DUAL ROW WAFER
.025 SQ. PINS/.100 GRID
W/RETENTION PINS ON CENTER

MOLEX INCORPORATED
LITSE, ILL. 60532 U.S.A.

SHEET NO. 1 OF 3
DATE 06/02/93

PART NO. SDA-70287-0001-5000
DRWG. NO.

J	13	12	11	10	9	8	7	6	5	4	3	2	1	
	ENGINEERING NUMBER A-70287	RELEASE FOR MANUFACTURE	C REF.	E REF.	F ±(0.25) 0.10	RETENTIVE PIN LOCATION	PLATING TYPE - SEE CODES LISTED ON SHEET 1	CONNECTOR END PLATING		P.C. BOARD END PLATING		FOR PACKAGING INFORMATION SEE NOTE 9, SHEET 1 UNLESS SPECIFIED BELOW		
								TYPE	H MEAS.	TYPE	K MEAS.			
	-0002/-0040	R.F.M.	(3.18) .125	(11.56) .455	(6.10) .240	SEE NOTE 6, SHEET 1	TIN	TIN	(2.54) .100	TIN	(1.27) .050			
	-0042/-0080	R.F.M.	(3.18) .125	(13.59) .535	(8.13) .320	SEE NOTE 6, SHEET 1	TIN	TIN	(4.57) .180	TIN	(1.27) .050			
I	-0082/-0120	R.F.M.	(3.18) .125	(11.56) .455	(6.10) .240	SEE NOTE 6, SHEET 1	15 GOLD	GOLD	(2.54) .100	TIN	(1.27) .050			
	-0122/-0160	R.F.M.	(3.18) .125	(13.59) .535	(8.13) .320	SEE NOTE 6, SHEET 1	15 GOLD	GOLD	(4.57) .180	TIN	(1.27) .050			
	-0162/-0200	R.F.M.	(3.18) .125	(11.56) .455	(6.10) .240	SEE NOTE 6, SHEET 1	30 GOLD	GOLD	(2.54) .100	TIN	(1.27) .050			
H	-0202/-0240	R.F.M.	(3.18) .125	(13.59) .535	(8.13) .320	SEE NOTE 6, SHEET 1	30 GOLD	GOLD	(4.57) .180	TIN	(1.27) .050			
	-0242/-0280													

G	CKTS	EDP NUMBER	ENG NUMBER	EDP NUMBER	ENG NUMBER	EDP NUMBER	ENG NUMBER	EDP NUMBER	ENG NUMBER	EDP NUMBER	ENG NUMBER	EDP NUMBER	ENG NUMBER	EDP NUMBER	ENG NUMBER	CKTS
	04	10-96-7043	A-70287-0002	10-96-7044	A-70287-0042	10-96-7045	A-70287-0082	10-96-7046	A-70287-0122	10-96-7047	A-70287-0162	10-96-7048	A-70287-0202		A-70287-0242	04
	06	10-96-7063	A-70287-0003	10-96-7064	A-70287-0043	10-96-7065	A-70287-0083	10-96-7066	A-70287-0123	10-96-7067	A-70287-0163	10-96-7068	A-70287-0203		A-70287-0243	06
	08	10-96-7083	A-70287-0004	10-96-7084	A-70287-0044	10-96-7085	A-70287-0084	10-96-7086	A-70287-0124	10-96-7087	A-70287-0164	10-96-7088	A-70287-0204		A-70287-0244	08
	10	10-96-7103	A-70287-0005	10-96-7104	A-70287-0045	10-96-7105	A-70287-0085	10-96-7106	A-70287-0125	10-96-7107	A-70287-0165	10-96-7108	A-70287-0205		A-70287-0245	10
	12	10-96-7123	A-70287-0006	10-96-7124	A-70287-0046	10-96-7125	A-70287-0086	10-96-7126	A-70287-0126	10-96-7127	A-70287-0166	10-96-7128	A-70287-0206		A-70287-0246	12
	14	10-96-7143	A-70287-0007	10-96-7144	A-70287-0047	10-96-7145	A-70287-0087	10-96-7146	A-70287-0127	10-96-7147	A-70287-0167	10-96-7148	A-70287-0207		A-70287-0247	14
	16	10-96-7163	A-70287-0008	10-96-7164	A-70287-0048	10-96-7165	A-70287-0088	10-96-7166	A-70287-0128	10-96-7167	A-70287-0168	10-96-7168	A-70287-0208		A-70287-0248	16
	18	10-96-7183	A-70287-0009	10-96-7184	A-70287-0049	10-96-7185	A-70287-0089	10-96-7186	A-70287-0129	10-96-7187	A-70287-0169	10-96-7188	A-70287-0209		A-70287-0249	18
F	20	10-96-7203	A-70287-0010	10-96-7204	A-70287-0050	10-96-7205	A-70287-0090	10-96-7206	A-70287-0130	10-96-7207	A-70287-0170	10-96-7208	A-70287-0210		A-70287-0250	20
	22	10-96-7223	A-70287-0011	10-96-7224	A-70287-0051	10-96-7225	A-70287-0091	10-96-7226	A-70287-0131	10-96-7227	A-70287-0171	10-96-7228	A-70287-0211		A-70287-0251	22
	24	10-96-7243	A-70287-0012	10-96-7244	A-70287-0052	10-96-7245	A-70287-0092	10-96-7246	A-70287-0132	10-96-7247	A-70287-0172	10-96-7248	A-70287-0212		A-70287-0252	24
	26	10-96-7263	A-70287-0013	10-96-7264	A-70287-0053	10-96-7265	A-70287-0093	10-96-7266	A-70287-0133	10-96-7267	A-70287-0173	10-96-7268	A-70287-0213		A-70287-0253	26
	28	10-96-7283	A-70287-0014	10-96-7284	A-70287-0054	10-96-7285	A-70287-0094	10-96-7286	A-70287-0134	10-96-7287	A-70287-0174	10-96-7288	A-70287-0214		A-70287-0254	28
	30	10-96-7303	A-70287-0015	10-96-7304	A-70287-0055	10-96-7305	A-70287-0095	10-96-7306	A-70287-0135	10-96-7307	A-70287-0175	10-96-7308	A-70287-0215		A-70287-0255	30
	32	10-96-7323	A-70287-0016	10-96-7324	A-70287-0056	10-96-7325	A-70287-0096	10-96-7326	A-70287-0136	10-96-7327	A-70287-0176	10-96-7328	A-70287-0216		A-70287-0256	32
	34	10-96-7343	A-70287-0017	10-96-7344	A-70287-0057	10-96-7345	A-70287-0097	10-96-7346	A-70287-0137	10-96-7347	A-70287-0177	10-96-7348	A-70287-0217		A-70287-0257	34
E	36	10-96-7363	A-70287-0018	10-96-7364	A-70287-0058	10-96-7365	A-70287-0098	10-96-7366	A-70287-0138	10-96-7367	A-70287-0178	10-96-7368	A-70287-0218		A-70287-0258	36
	38	10-96-7383	A-70287-0019	10-96-7384	A-70287-0059	10-96-7385	A-70287-0099	10-96-7386	A-70287-0139	10-96-7387	A-70287-0179	10-96-7388	A-70287-0219		A-70287-0259	38
	40	10-96-7403	A-70287-0020	10-96-7404	A-70287-0060	10-96-7405	A-70287-0100	10-96-7406	A-70287-0140	10-96-7407	A-70287-0180	10-96-7408	A-70287-0220		A-70287-0260	40
	42	10-96-7423	A-70287-0021	10-96-7424	A-70287-0061	10-96-7425	A-70287-0101	10-96-7426	A-70287-0141	10-96-7427	A-70287-0181	10-96-7428	A-70287-0221		A-70287-0261	42
	44	10-96-7443	A-70287-0022	10-96-7444	A-70287-0062	10-96-7445	A-70287-0102	10-96-7446	A-70287-0142	10-96-7447	A-70287-0182	10-96-7448	A-70287-0222		A-70287-0262	44
	46	10-96-7463	A-70287-0023	10-96-7464	A-70287-0063	10-96-7465	A-70287-0103	10-96-7466	A-70287-0143	10-96-7467	A-70287-0183	10-96-7468	A-70287-0223		A-70287-0263	46
	48	10-96-7483	A-70287-0024	10-96-7484	A-70287-0064	10-96-7485	A-70287-0104	10-96-7486	A-70287-0144	10-96-7487	A-70287-0184	10-96-7488	A-70287-0224		A-70287-0264	48
D	50	10-96-7503	A-70287-0025	10-96-7504	A-70287-0065	10-96-7505	A-70287-0105	10-96-7506	A-70287-0145	10-96-7507	A-70287-0185	10-96-7508	A-70287-0225		A-70287-0265	50
	52	10-96-7523	A-70287-0026	10-96-7524	A-70287-0066	10-96-7525	A-70287-0106	10-96-7526	A-70287-0146	10-96-7527	A-70287-0186	10-96-7528	A-70287-0226		A-70287-0266	52
	54	10-96-7543	A-70287-0027	10-96-7544	A-70287-0067	10-96-7545	A-70287-0107	10-96-7546	A-70287-0147	10-96-7547	A-70287-0187	10-96-7548	A-70287-0227		A-70287-0267	54
	56	10-96-7563	A-70287-0028	10-96-7564	A-70287-0068	10-96-7565	A-70287-0108	10-96-7566	A-70287-0148	10-96-7567	A-70287-0188	10-96-7568	A-70287-0228		A-70287-0268	56
	58	10-96-7583	A-70287-0029	10-96-7584	A-70287-0069	10-96-7585	A-70287-0109	10-96-7586	A-70287-0149	10-96-7587	A-70287-0189	10-96-7588	A-70287-0229		A-70287-0269	58
	60	10-96-7603	A-70287-0030	10-96-7604	A-70287-0070	10-96-7605	A-70287-0110	10-96-7606	A-70287-0150	10-96-7607	A-70287-0190	10-96-7608	A-70287-0230		A-70287-0270	60
	62	10-96-7623	A-70287-0031	10-96-7624	A-70287-0071	10-96-7625	A-70287-0111	10-96-7626	A-70287-0151	10-96-7627	A-70287-0191	10-96-7628	A-70287-0231		A-70287-0271	62
	64	10-96-7643	A-70287-0032	10-96-7644	A-70287-0072	10-96-7645	A-70287-0112	10-96-7646	A-70287-0152	10-96-7647	A-70287-0192	10-96-7648	A-70287-0232		A-70287-0272	64
C	66	10-96-7663	A-70287-0033	10-96-7664	A-70287-0073	10-96-7665	A-70287-0113	10-96-7666	A-70287-0153	10-96-7667	A-70287-0193	10-96-7668	A-70287-0233		A-70287-0273	66
	68	10-96-7683	A-70287-0034	10-96-7684	A-70287-0074	10-96-7685	A-70287-0114	10-96-7686	A-70287-0154	10-96-7687	A-70287-0194	10-96-7688	A-70287-0234		A-70287-0274	68
	70	10-96-7703	A-70287-0035	10-96-7704	A-70287-0075	10-96-7705	A-70287-0115	10-96-7706	A-70287-0155	10-96-7707	A-70287-0195	10-96-7708	A-70287-0235		A-70287-0275	70
	72	10-96-7723	A-70287-0036	10-96-7724	A-70287-0076	10-96-7725	A-70287-0116	10-96-7726	A-70287-0156	10-96-7727	A-70287-0196	10-96-7728	A-70287-0236		A-70287-0276	72
	74	10-96-7743	A-70287-0037	10-96-7744	A-70287-0077	10-96-7745	A-70287-0117	10-96-7746	A-70287-0157	10-96-7747	A-70287-0197	10-96-7748	A-70287-0237		A-70287-0277	74
	76	10-96-7763	A-70287-0038	10-96-7764	A-70287-0078	10-96-7765	A-70287-0118	10-96-7766	A-70287-0158	10-96-7767	A-70287-0198	10-96-7768	A-70287-0238		A-70287-0278	76
	78	10-96-7783	A-70287-0039	10-96-7784	A-70287-0079	10-96-7785	A-70287-0119	10-96-7786	A-70287-0159	10-96-7787	A-70287-0199	10-96-7788	A-70287-0239		A-70287-0279	78
B	80	10-96-7803	A-70287-0040	10-96-7804	A-70287-0080	10-96-7805	A-70287-0120	10-96-7806	A-70287-0160	10-96-7807	A-70287-0200	10-96-7808	A-70287-0240		A-70287-0280	80

A	F	SEE SHEET I	DIMENSIONS SHOWN (METRIC) INCH UNLESS OTHERWISE SPECIFIED TOLERANCES: ANGULAR ± 1/2° INCH METRIC 5 PLACE ± .005 --- 2 PLACE ± .01 ± 0.13 1 PLACE --- ± 0.25 DRAFT WHERE APPLICABLE MUST REMAIN WITHIN DIMENSIONS DRWG. NO. SDA-70287-0001-5000 FILE NAME: S70287X2 DATE: 06/02/93 U.S.A. MOLEX INC. AND SHOULD NOT BE USED WITHOUT WRITTEN PERMISSION
	E	SEE SHEET I	
	C2	SEE SHEET I	
	C	SEE SHEET I	
	B	SEE SHEET I	
	A1	SEE SHEET I	
G	SEE SHEET I	A	SEE SHEET I
LTR.	REVISIONS	LTR.	REVISIONS

13	12	11	10	9	8	7	6	5	4	3	2	1
----	----	----	----	---	---	---	---	---	---	---	---	---